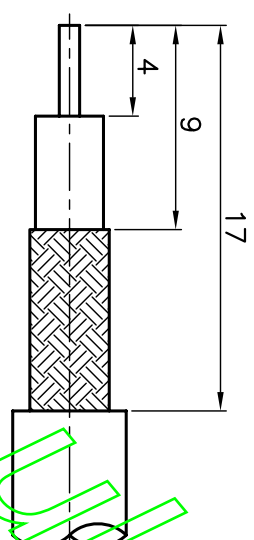
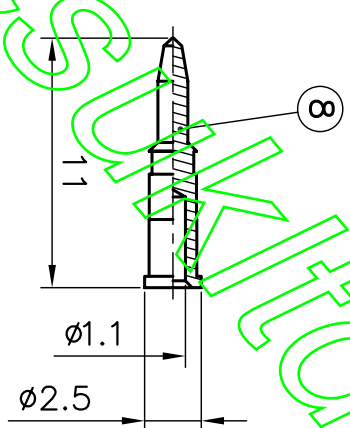
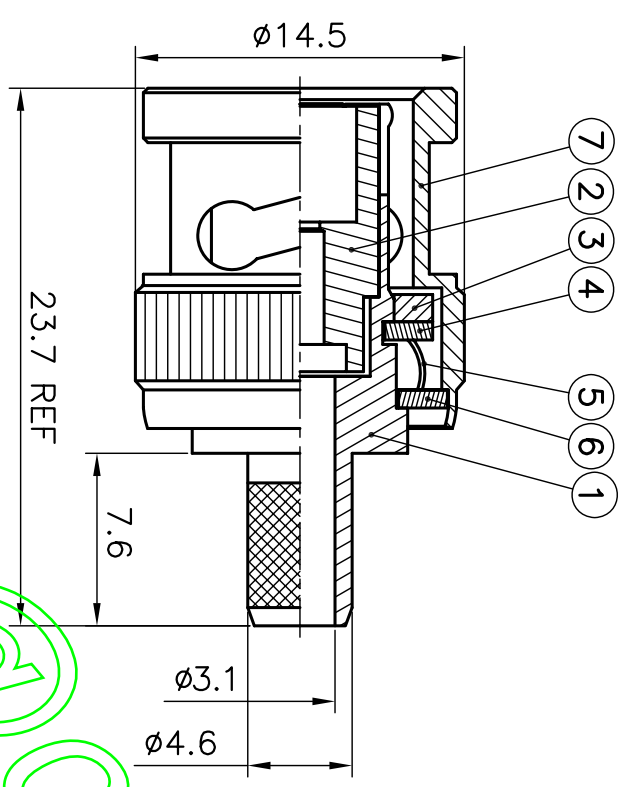
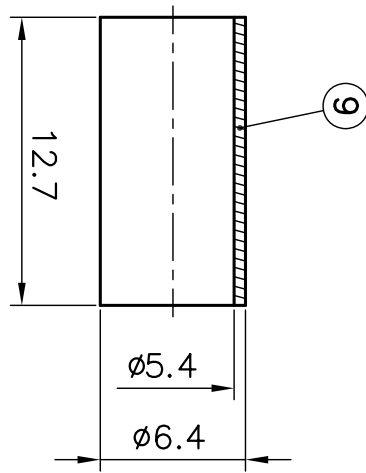


ISS	DESCRIPTION \ DATE

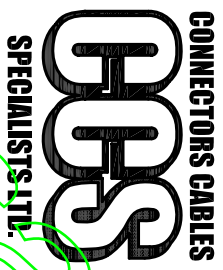
REVISIONS



RECOMMENDED
CABLE STRIPPING DIM'S



TITLE: BNC MALE CRIMP (FOR RG58)		UNLESS OTHERWISE SPECIFIED TOLERANCES	
PART NO: BPCR58		0.5-6 = ±0.2	
DRAWING NO:		>6-30 = ±0.4	
DATE: 03/06/05'		>30-120 = ±0.6	
SHEET: .		>120-315 = ±1.1	
SCALE: 3/1		>315-1000 = ±1.6	
UNIT: mm		ANGLES = 15°	
NO.	DESCRIPTION	MATERIAL	FINISH
1	BODY	BRASS	NICKEL
2	INSULATOR	DELIRIN	WHITE
3	GASKET	PVC	RED
4	C WASHER	STEEL	NICKEL
5	SPRING	SK-5	NICKEL
6	WASHER	STEEL	NICKEL
7	SHELL	BRASS	NICKEL
8	CONTACT PIN	BRASS	GOLD
9	FERRULE	BRASS	NICKEL
			KA/2005/10527 \ KA/2005/60362
			KA/2005/10527 \ KA/2005/30993
			KA/2005/10527 \ KA/2005/60362
			KA/2005/10523 \ KA/2005/60362
			KA/2005/10524 \ KA/2005/60362
			KA/2005/10523 \ KA/2005/60362
			KA/2005/10533
			KA/2005/10531
			KA/2005/10527 \ KA/2005/60362
			SGS REPORT NO



ISO 9001 certificate